

## Kit, Bead Dispenser LineLazer IV 3900, 5900, 200HS LL250SPS Airless Line Stripers

311068F  
EN

For application of line striping materials.  
Not approved for use in European explosive atmosphere locations.

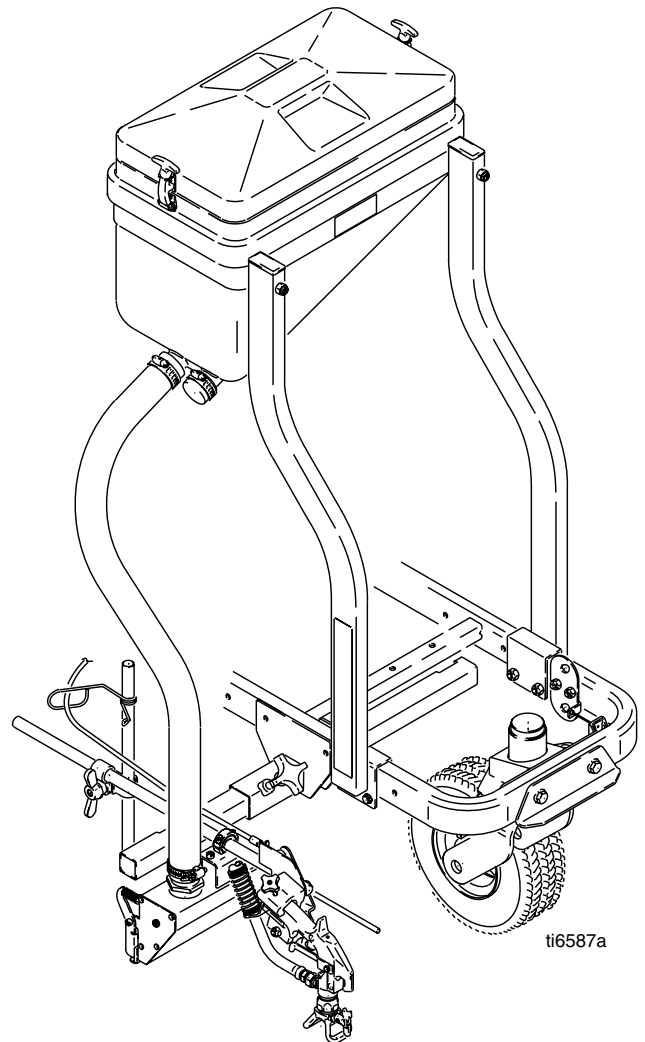


### Important Safety Instructions

Read all warnings and instructions in this manual. Save these instructions.

LineLazer IV 3900, 5900, 200HS	Model	Series
Glass bead system with one 6-in. (152 mm) dispenser	277065	A
Glass bead system with two 6-in. (152 mm) dispensers	277064	A
6-in. (152 mm) dispenser and hose	277067	A
6-in. (152 mm) wind deflector kit with aluminum dispenser	277066	A
6-in. (152 mm) wind deflector with plastic dispenser	245519	A
12-in. (305 mm) dispenser and two hoses	245516	A
12-in. (305 mm) bead system	24N265	A
12-in. (305 mm) wind deflector with aluminum dispenser	245520	A

LL250SPS	Model	Series
6-in. (152 mm) dispenser and hose	277067	A
6-in. (152 mm) wind deflector kit with aluminum dispenser	277066	A
12-in. (305 mm) dispenser and two hoses	245516	A
12-in. (305 mm) Bead System	24N267	A
12-in. (305 mm) wind deflector with aluminum dispenser	245520	A



# Beads Dispenser Kit

## Setup



**NOTE:** Glass bead system and paint guns can be mounted on either side of sprayer.

1. Perform **Pressure Relief Procedure** (see sprayer manual).
2. Remove pronged knob (E) and nut (F). Install screw (17), washer (18) and nut (19).
3. Bolt bead hopper frame legs (1, 3) to sprayer with four flange head cap screws (9) and lock nuts (10).
4. Place bead hopper ring (14) into holes in bead hopper legs.
5. Bolt bead hopper and bead hopper ring together with washers (15) and lock nuts (4) from kit bag.
6. Install bead hopper (7) on gun side on top of beads hopper frame.
7. Remove collar from mounting block of dispenser (8). Locate dispenser on gun support and reconnect collar to attach dispenser to support.
8. Move bead dispenser to desired location on rod. Loosen screw (4) and position link (3) to connect to gun trigger actuator (C). Tighten screw (4) and attach dispenser connecting rod (B) to gun trigger with bridge pin (2).
9. Position spray gun and bead dispenser assembly (D) to position to be used in bead application and tighten.
10. Attach bead hose(s) (12).
  - a. 6-inch: Attach bead hose (12) to bead hopper outlet with hose clamp (11). Plug other bead hopper outlet with cap (13) and clamp (11).
  - b. 12-inch: Attach two bead hoses (12) to bead hopper outlets with hose clamps (11).

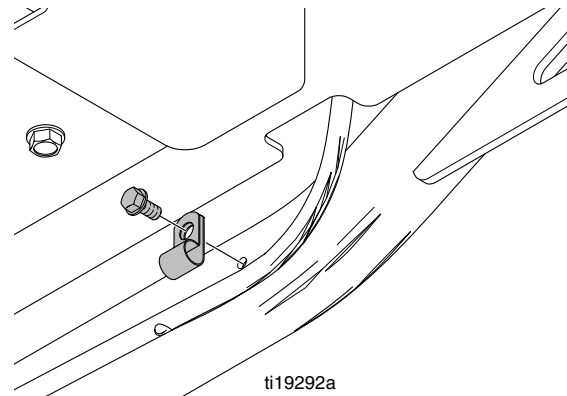
11. Route bead hose down to bead dispenser inlet.

**NOTE:** To avoid bead stoppage in hose during use, make sure bead hose is in an arc curved downward with no kinks or high spots.

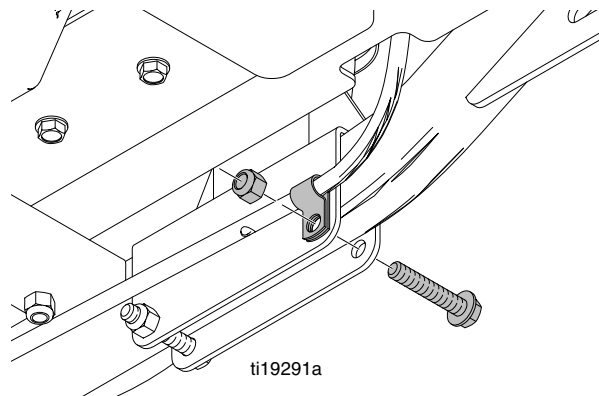
12. Mark on bead hose where it will connect to bead dispenser inlet.
13. Cut bead hose on mark and attach to bead dispenser inlet using clamp (11). Hoses must be cut as short as possible to allow good bead flow.

## Additional Instructions (LLIV 250SPS Units Only)

1. Before installing bead dispenser kit, remove the screw and clamp that hold recoil tube to frame.

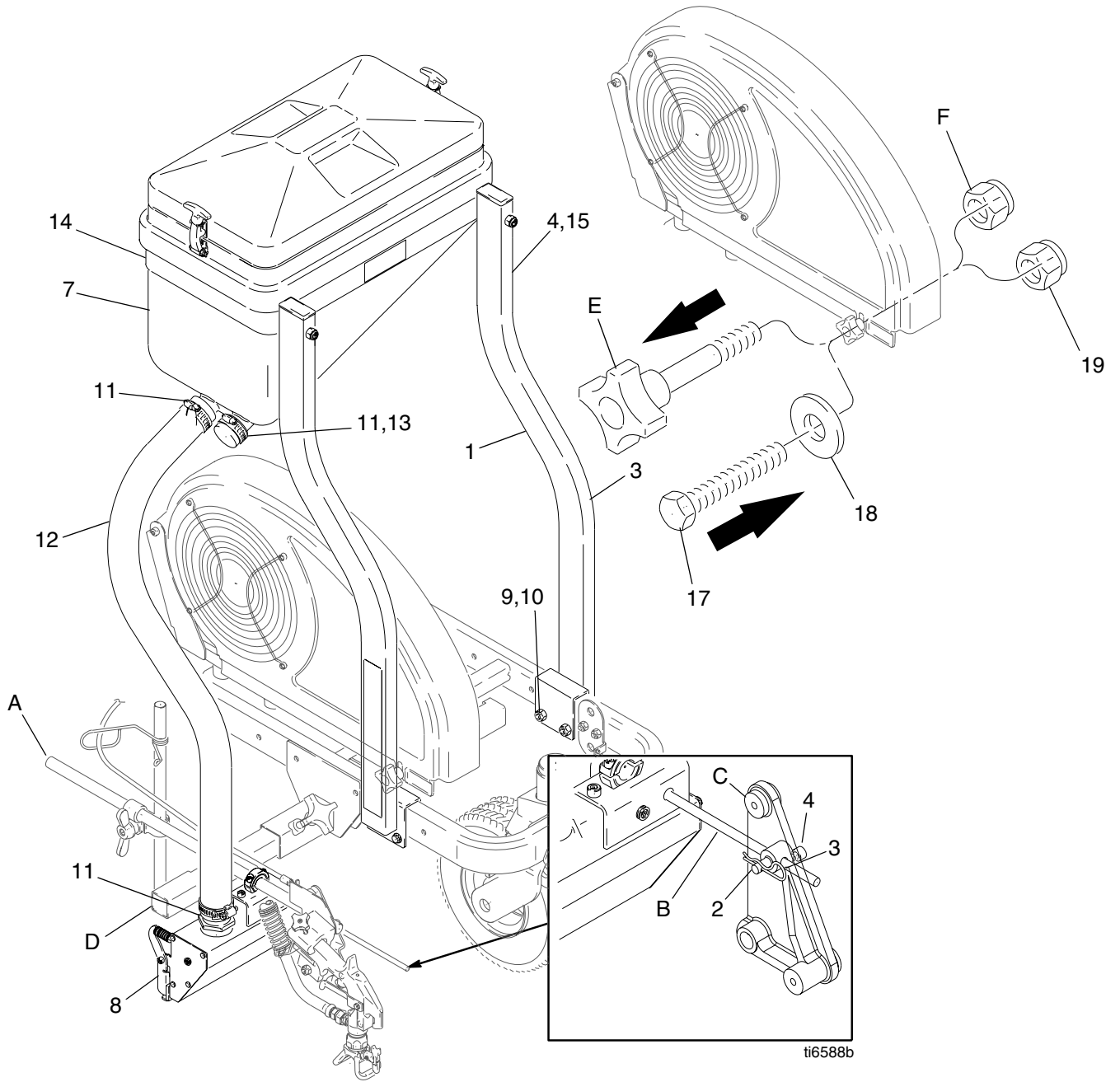


2. Install new clamp to secure recoil tube to new mounting bracket.



3. **NOTE:** The orientation of the new clamp must allow room for the recoil tube.

# Beads Dispenser Kit



## Dispenser Adjustments

Adjust dispenser plates up or down for desired bead flow. Typical flow rates range between 6 - 8 lb of glass beads per gallon of paint.

Bead dispensers (A) are located behind paint guns. If not adjusted properly, dispensers may miss a short area at end of each paint stripe. Adjust gun cables so guns trigger at midpoint of handle bar trigger. Adjust bead dispensers (A) so beads flow immediately when trigger is pulled. This ensures independent control to keep beads flowing after paint is turned off.

## Operation

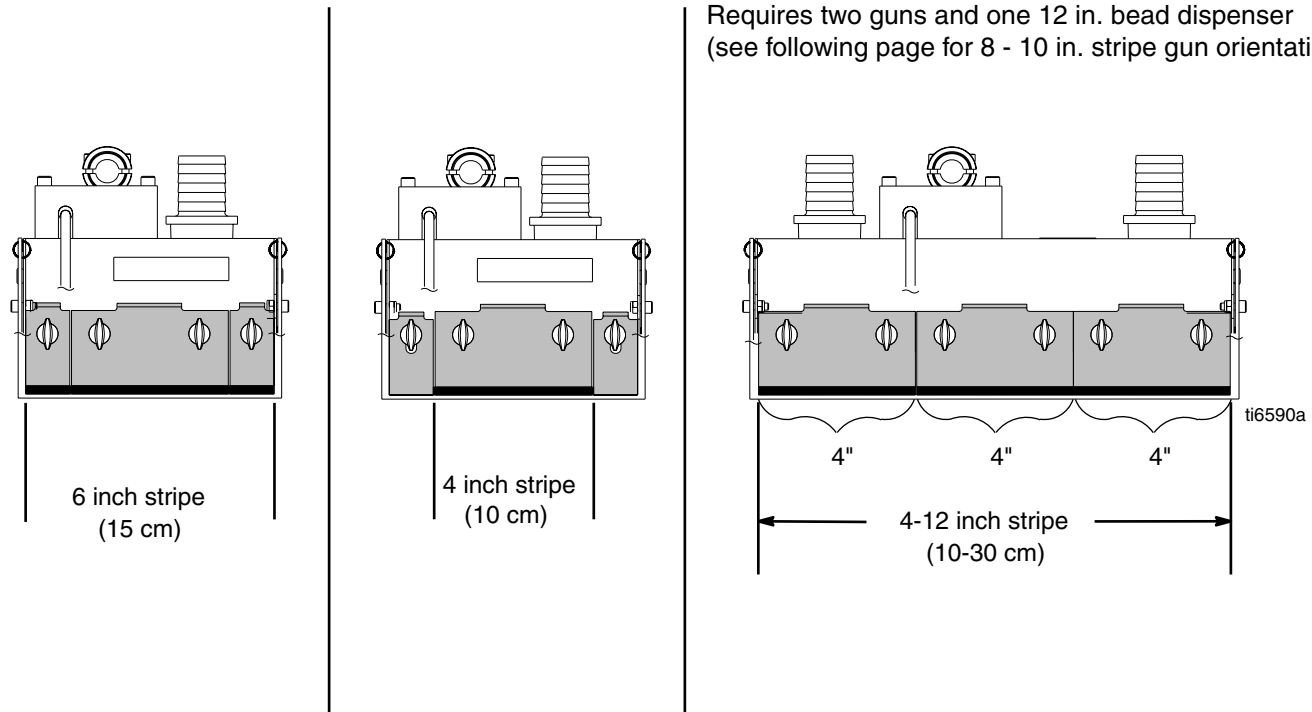
Operate the striper as in normal striper operation. Refer to LineLazer Repair manual for paint spray tip recommendations.

Only use dry, clean beads. Any moisture or contamination with beads will cause poor bead flow. A window type screen can be used to remove unwanted debris before filling glass bead hopper.

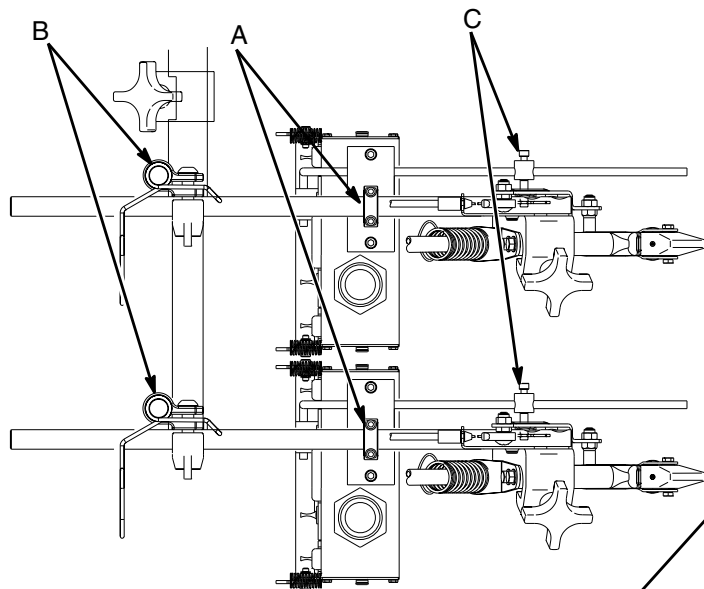
**NOTE:** To avoid bead stoppage, do not use wet beads or beads that have absorbed moisture. If bead stoppage is occurring, replace with dry beads.

**NOTICE**

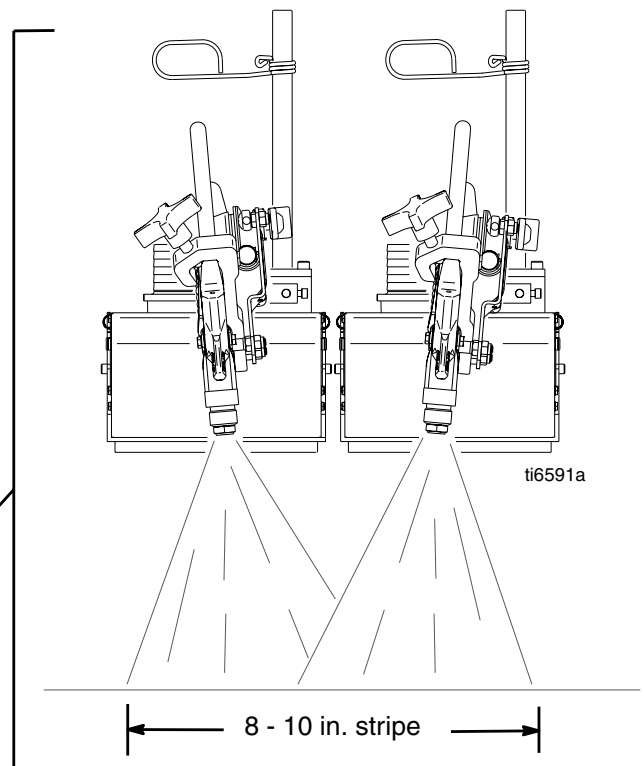
Do not get beads in paint. Beads contaminating the paint supply can damage the pump. Make sure paint supply is covered during bead filling and handling.



## Gun Orientation for 8 - 12 in. Stripe Operation



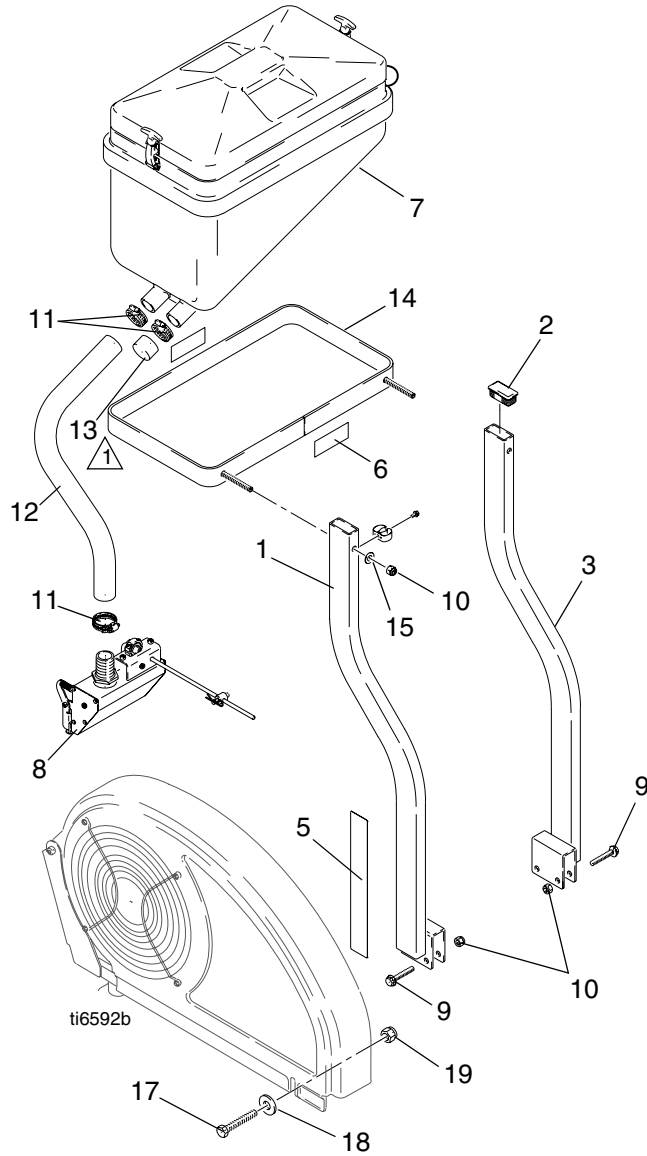
For 8 - 10 in. stripe, adjust line width, loosen set screws at (A) and loosen gun adjuster (B). Tilt guns in for desired line width and tighten. Keep bead dispensers together and parallel to the ground.



**NOTE:** To avoid glass beads clumping, do NOT store beads in hopper when not in use. Make sure to run beads out of system when done.

# Bead Dispenser Kit - Parts List

## (LineLazer IV 3900, 5900, 200HS)

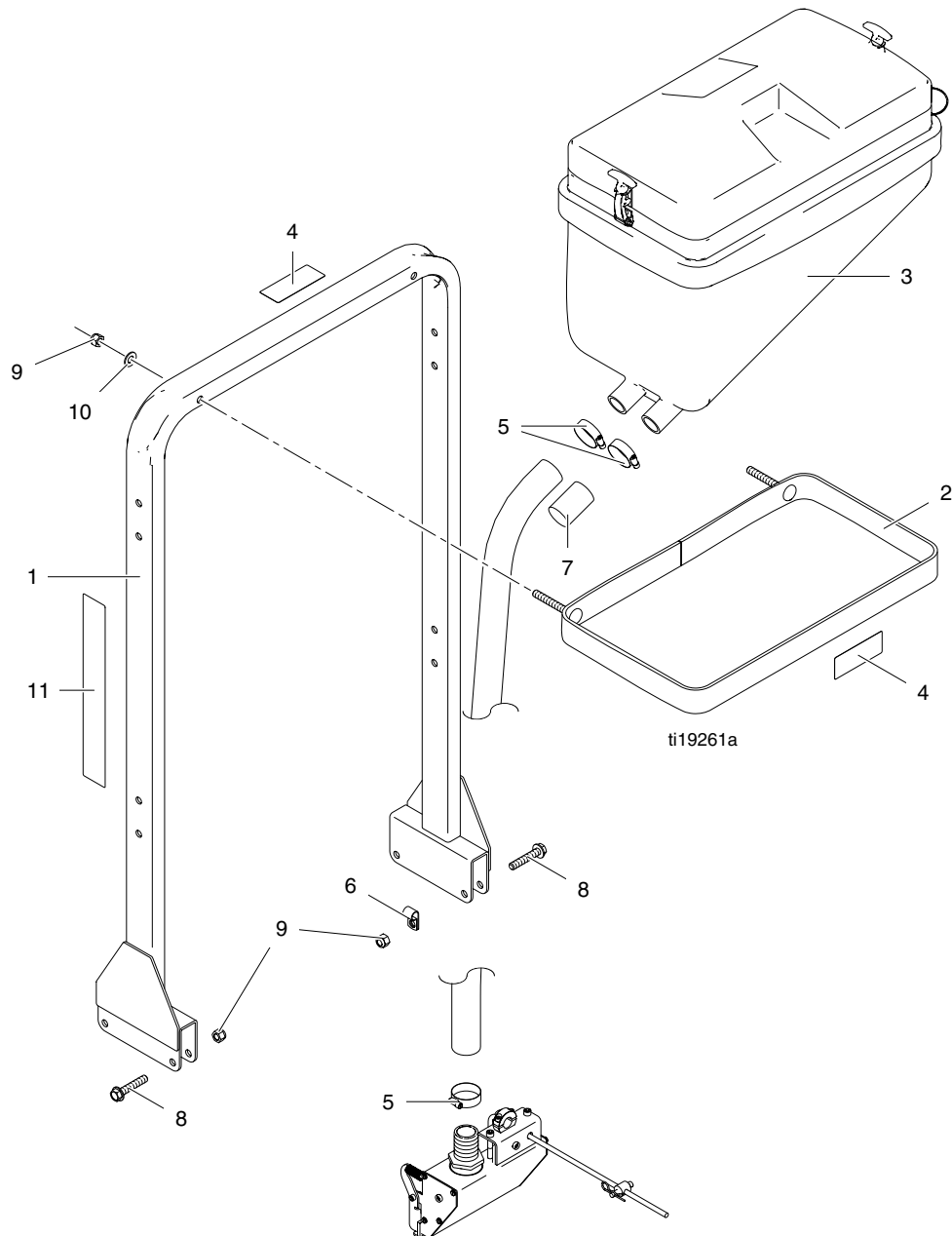


Ref.	Part	Description	Qty.
	277065	KIT, bead system	Ref
1	15F581	. LEG, hopper, RH (painted)	1
2	115087	. PLUG, tubing	2
3	15F582	. LEG, hopper, LH (painted)	1
5	194666	. LABEL, identification	2
6▲	194668	. LABEL, warning	2
7	241437	. HOPPER, beads	1
8		. DISPENSER ASSY KIT (includes 8, 11, 12)	
	277067	. 6-in. Dispenser Assy (Parts List, page 7)	1
	245516	. 12-in. dispenser Assy (Parts List, page 8)	1
9	111194	. SCREW, cap, flng hd	4
10	101566	. NUT, lock	6
11	101818	. CLAMP, hose	3
12	194682	. HOSE, beads	1
13	403237	. CAP	1
14	287680	RING, hopper, frame	1
15	100731	WASHER	2
17	114988	SCREW, cap, hex hd	1
18	100527	WASHER, plain	1
19	102040	NUT, lock, hex	1

▲ Replacement Warning labels are available at no cost.

△ Remove cap (13) and install second hose (12) and clamp (11) for 12-inch bead dispenser

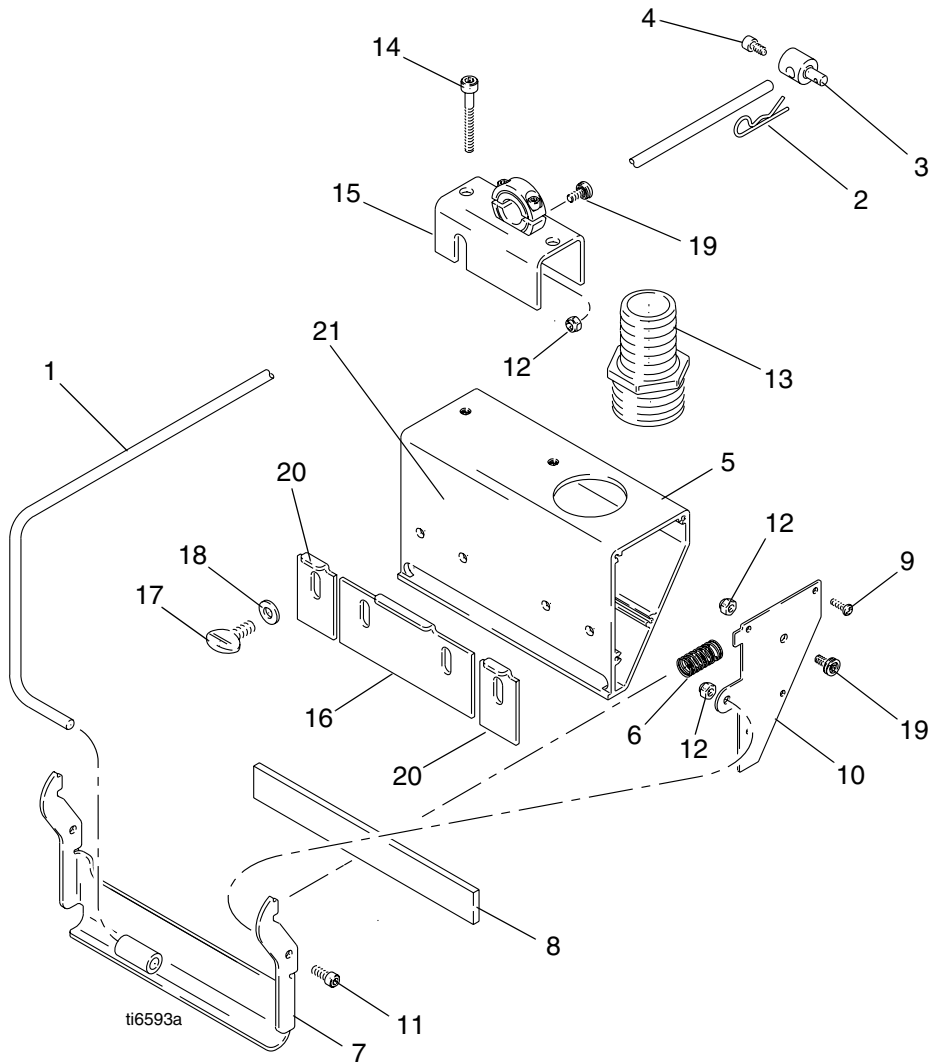
# Bead Hopper Kit - Parts List (LL250SPS)



Ref.	Part	Description	Qty.	Ref.	Part	Description	Qty.
1	16N607	FRAME, bead mount, LL250, paint	1	8	111194	SCREW, cap flange HD	4
2	287680	RING, hopper, frame	1	9	101566	NUT, lock	6
3	241437	HOPPER, beads	1	10	100731	WASHER	2
4▲	194668	LABEL, warning	2	11	194666	LABEL, Linelazer, EZ bead system	2
5	101818	CLAMP, hose	1				
6	113984	CLAMP, cable	1				
7	403237	CAP, missing	1				

▲ Replacement Warning labels are available at no cost.

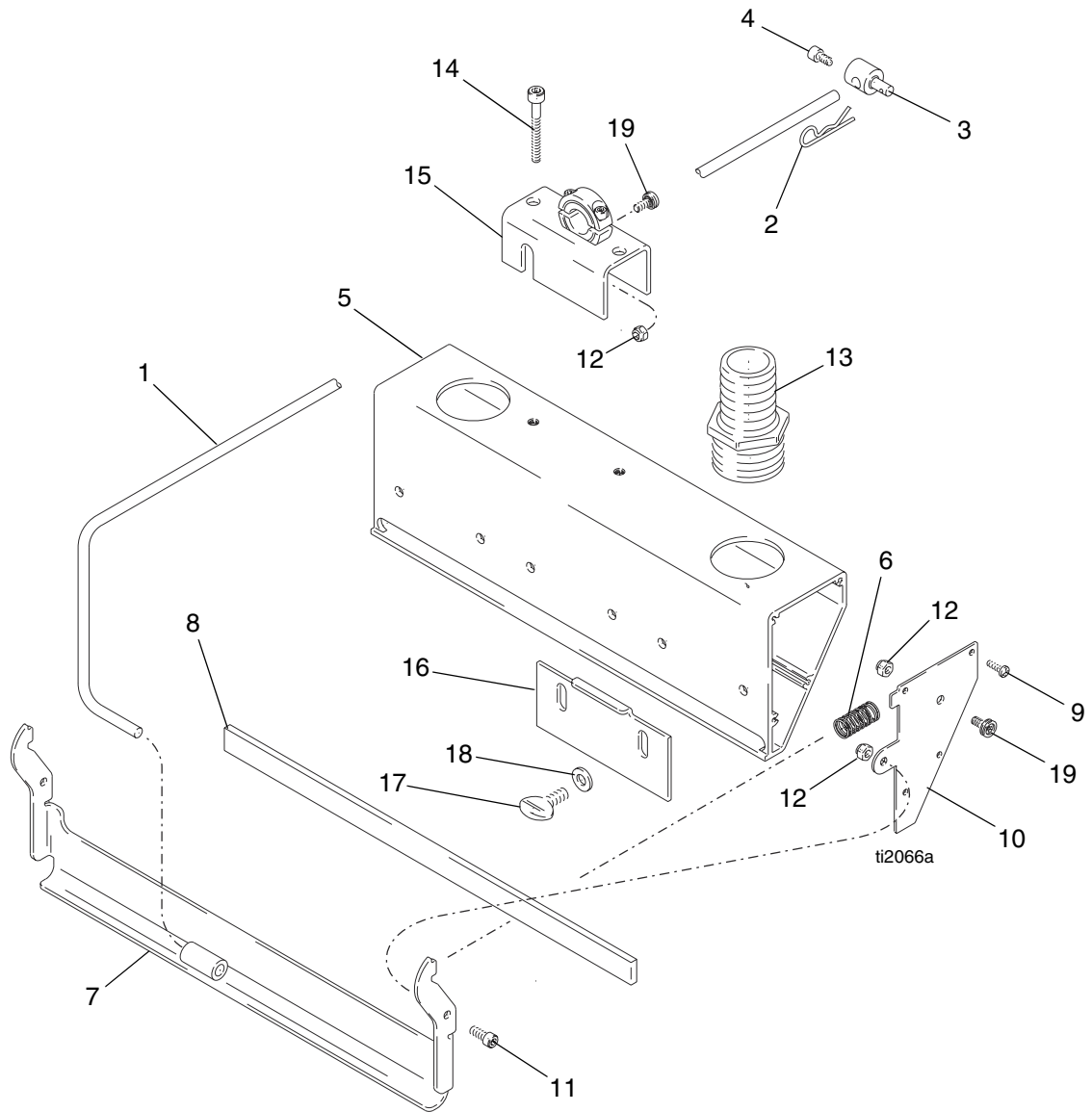
# 6-Inch Dispenser Assembly - Parts List



Ref.	Part	Description	Qty.	Ref.	Part	Description	Qty.
	277067	DISPENSER ASSY KIT, beads (see item 8, Bead Dispenser Kit Parts List)		10	198376	. CAP, end, bead dispenser	2
1	198379	. ROD, connecting	1	11	102598	. SCREW, cap, sch	2
2	114814	. PIN, bridge	1	12	115483	. NUT, lock	5
3	15A264	. LINK, mounting, adjustable	1	13	116998	. FITTING, hose, barb	1
4	198058	. SCREW, cap, schd, 10-24 x 3/8	1	14	101885	. SCREW, cap, sch	2
5	15F363	. HOUSING, dispenser, 6 in.	1	15	245679	. BLOCK, mounting	2
6	117155	. SPRING, compression	2	16	198380	. PLATE, slide	1
7	15F357	. DOOR, dispenser, 6 in.	1	17	100085	. SCREW, thumb	4
8	15F366	. PAD, foam, 6 in.	1	18	100086	. WASHER	4
9	117576	. SCREW, machine, hex wash hd	8	19	117275	. STUD, button, snap	3
				20	15F367	. PLATE, slide	2
				21	166362	. LABEL, identification	1



# 12-Inch Dispenser Assembly - Parts List



Ref.	Part	Description	Qty.	Ref.	Part	Description	Qty.
	245516	DISPENSER ASSY KIT, beads (see item 8, Bead Dispenser Kit Parts List)		9	117576	. SCREW, machine, hex washer hd	8
1	198379	. ROD, connecting	1	10	198376	. SCREW, door, hex	2
2	114814	. PIN, bridge	1	11	102598	. SCREW, cap, socket head	2
3	15A264	. LINK, mounting, adjustable	1	12	115483	. NUT, lock	5
4	198058	. SCREW, cap, socket head	1	13	116998	. FITTING, hose, barb	2
5	245799	. HOUSING KIT, dispenser	1	14	101885	. SCREW, cap, socket head	2
6	117155	. SPRING, compression	2	15	245679	. BLOCKING, mounting	1
7	198378	. DOOR, dispenser	1	16	198380	. PLATE, slide	3
8	116680	. PAD, foam, die-cut	1	17	100085	. SCREW, thumb	6
				18	100086	. WASHER	6
				19	117275	. STUD, button, snap	3

# Graco Standard Warranty

Graco warrants all equipment referenced in this document which is manufactured by Graco and bearing its name to be free from defects in material and workmanship on the date of sale to the original purchaser for use. With the exception of any special, extended, or limited warranty published by Graco, Graco will, for a period of twelve months from the date of sale, repair or replace any part of the equipment determined by Graco to be defective. This warranty applies only when the equipment is installed, operated and maintained in accordance with Graco's written recommendations.

This warranty does not cover, and Graco shall not be liable for general wear and tear, or any malfunction, damage or wear caused by faulty installation, misapplication, abrasion, corrosion, inadequate or improper maintenance, negligence, accident, tampering, or substitution of non-Graco component parts. Nor shall Graco be liable for malfunction, damage or wear caused by the incompatibility of Graco equipment with structures, accessories, equipment or materials not supplied by Graco, or the improper design, manufacture, installation, operation or maintenance of structures, accessories, equipment or materials not supplied by Graco.

This warranty is conditioned upon the prepaid return of the equipment claimed to be defective to an authorized Graco distributor for verification of the claimed defect. If the claimed defect is verified, Graco will repair or replace free of charge any defective parts. The equipment will be returned to the original purchaser transportation prepaid. If inspection of the equipment does not disclose any defect in material or workmanship, repairs will be made at a reasonable charge, which charges may include the costs of parts, labor, and transportation.

**THIS WARRANTY IS EXCLUSIVE, AND IS IN LIEU OF ANY OTHER WARRANTIES, EXPRESS OR IMPLIED, INCLUDING BUT NOT LIMITED TO WARRANTY OF MERCHANTABILITY OR WARRANTY OF FITNESS FOR A PARTICULAR PURPOSE.**

Graco's sole obligation and buyer's sole remedy for any breach of warranty shall be as set forth above. The buyer agrees that no other remedy (including, but not limited to, incidental or consequential damages for lost profits, lost sales, injury to person or property, or any other incidental or consequential loss) shall be available. Any action for breach of warranty must be brought within two (2) years of the date of sale.

**GRACO MAKES NO WARRANTY, AND DISCLAIMS ALL IMPLIED WARRANTIES OF MERCHANTABILITY AND FITNESS FOR A PARTICULAR PURPOSE, IN CONNECTION WITH ACCESSORIES, EQUIPMENT, MATERIALS OR COMPONENTS SOLD BUT NOT MANUFACTURED BY GRACO.** These items sold, but not manufactured by Graco (such as electric motors, switches, hose, etc.), are subject to the warranty, if any, of their manufacturer. Graco will provide purchaser with reasonable assistance in making any claim for breach of these warranties.

In no event will Graco be liable for indirect, incidental, special or consequential damages resulting from Graco supplying equipment hereunder, or the furnishing, performance, or use of any products or other goods sold hereto, whether due to a breach of contract, breach of warranty, the negligence of Graco, or otherwise.

## Graco Information

For the latest information about Graco products, visit [www.graco.com](http://www.graco.com).

**TO PLACE AN ORDER**, contact your Graco distributor or call 1-800-690-2894 to identify the nearest distributor.

*All written and visual data contained in this document reflects the latest product information available at the time of publication.  
Graco reserves the right to make changes at any time without notice.*

*For patent information, see [www.graco.com/patents](http://www.graco.com/patents).*

Original instructions. This manual contains English. MM 311068

**Graco Headquarters:** Minneapolis  
**International Offices:** Belgium, China, Japan, Korea

**GRACO INC. AND SUBSIDIARIES • P.O. BOX 1441 • MINNEAPOLIS MN 55440-1441 • USA**

**Copyright 2012, Graco Inc. All Graco manufacturing locations are registered to ISO 9001.**

[www.graco.com](http://www.graco.com)  
Revised May 2012